

Industrial Specification Grade Straight Blade Power Plugs

3-Pole, 4-Wire Grounding
NEMA 14-30, 30A 125/250V
NEMA 15-30, 30A 250V 3Ø
NEMA 14-50, 50A 125/250V
NEMA 15-50, 50A 250V 3Ø
NEMA 14-60, 60A 125/250V
NEMA 15-60, 60A 250V 3Ø



H-26 Straight Blade Plugs & Connectors

Industrial Grade Power Plugs

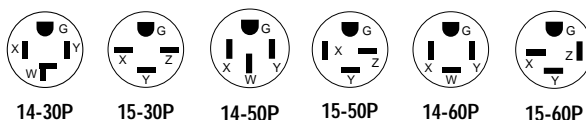
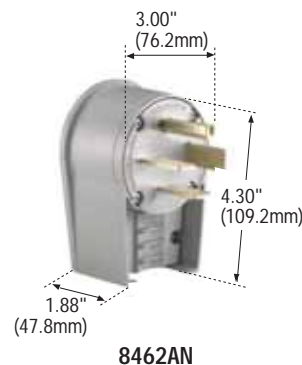
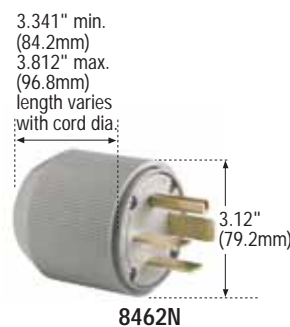
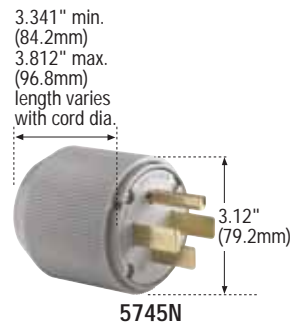
FEATURES

- For new range and dryer installations per 1996 NEC® sections 250-60, 250-57 and 250-59.
- Neoprene gasket seals cord hole opening on AutoGrip™ Plug; prevents dust/moisture from entering wiring chamber.
- AutoGrip™ automatic cord grip clamps cord during assembly and reduces wiring time.
- Back-wired dead-front construction with easy wire clamp type terminals.
- Tapered cord grip cover eliminates cord snags.
- High strength thermoplastic plug resists breakage in high abuse locations.
- Angle plug provides four different cord positions.
- Terminals accept #12 AWG - #4 AWG conductors.

Range and Dryer Plugs

Rating A	V/AC	NEMA	Description	Cord Diameter	Color	Catalog No. Plug
30	125/250	14-30	Straight, AutoGrip™ Type	0.425-1.310" (10.8-33.3mm)	Gray	5746N
			Angle Cord Grip for Dryer Devices	0.560-1.310" (14.2-33.3mm)	Gray	5732AN
30	250V 3Ø	15-30	Straight, AutoGrip™ Type	0.425-1.310" (10.8-33.3mm)	Gray	8432N
			Angle Cord Grip	0.560-1.310" (14.2-33.3mm)	Gray	8432AN
50	125/250	14-50	Straight, AutoGrip™ Type	0.425-1.310" (10.8-33.3mm)	Gray	5745N
			Angle Cord Grip for Range Devices	0.560-1.310" (14.2-33.3mm)	Gray	5752AN
50	250V 3Ø	15-50	Straight, AutoGrip™ Type	0.425-1.310" (10.8-33.3mm)	Gray	8452N
			Angle Cord Grip	0.560-1.310" (14.2-33.3mm)	Gray	8452AN
60	125/250	14-60	Straight, AutoGrip™ Type	0.425-1.310" (10.8-33.3mm)	Gray	9462N†
			Angle Cord Grip	0.560-1.310" (14.2-33.3mm)	Gray	9462AN†
60	250V 3Ø	15-60	Straight, AutoGrip™ Type	0.425-1.310" (10.8-33.3mm)	Gray	AH8462N
			Angle Cord Grip	0.560-1.310" (14.2-33.3mm)	Gray	AH8462AN

†Not Fed. Spec rated



TESTING & CODE COMPLIANCE

- Listed to UL 498 (file no. E3663).
- UL verified to Federal Spec. WC-596, except as noted.
- CSA Certified to C22.2 no. 42 (file no. LR7087).

MATERIAL CHARACTERISTICS

Plugs, Nylon and Polypropylene.
 Angle Plugs: Nylon and ABS.
 Environmental:
 Flammability per UL 94 requirements, V2 rated.
 Temperature Rating: -40°C to 75°C.